



Operating Instructions and Parts Manual Winch Stacker

Model JWS-770A



JET
427 New Sanford Road
LaVergne, Tennessee 37086
Ph.: 800-274-6848
www.jettools.com

Part No. M-140511
Revision A2 06/2014
Copyright © 2014 JET

1.0 Warranty and Service

JET® warrants every product it sells against manufacturers' defects. If one of our tools needs service or repair, please contact Technical Service by calling 1-800-274-6846, 8AM to 5PM CST, Monday through Friday.

Warranty Period

The general warranty lasts for the time period specified in the literature included with your product or on the official JET branded website.

- JET products carry a limited warranty which varies in duration based upon the product. (See chart below)
- Accessories carry a limited warranty of one year from the date of receipt.
- Consumable items are defined as expendable parts or accessories expected to become inoperable within a reasonable amount of use and are covered by a 90 day limited warranty against manufacturer's defects.

Who is Covered

This warranty covers only the initial purchaser of the product from the date of delivery.

What is Covered

This warranty covers any defects in workmanship or materials subject to the limitations stated below. This warranty does not cover failures due directly or indirectly to misuse, abuse, negligence or accidents, normal wear-and-tear, improper repair, alterations or lack of maintenance.

Warranty Limitations

Woodworking products with a Five Year Warranty that are used for commercial or industrial purposes default to a Two Year Warranty. Please contact Technical Service at 1-800-274-6846 for further clarification.

How to Get Technical Support

Please contact Technical Service by calling 1-800-274-6846. **Please note that you will be asked to provide proof of initial purchase when calling.** If a product requires further inspection, the Technical Service representative will explain and assist with any additional action needed. JET has Authorized Service Centers located throughout the United States. For the name of an Authorized Service Center in your area call 1-800-274-6846 or use the Service Center Locator on the JET website.

More Information

JET is constantly adding new products. For complete, up-to-date product information, check with your local distributor or visit the JET website.

How State Law Applies

This warranty gives you specific legal rights, subject to applicable state law.

Limitations on This Warranty

JET LIMITS ALL IMPLIED WARRANTIES TO THE PERIOD OF THE LIMITED WARRANTY FOR EACH PRODUCT. EXCEPT AS STATED HEREIN, ANY IMPLIED WARRANTIES OF MERCHANTABILITY AND FITNESS FOR A PARTICULAR PURPOSE ARE EXCLUDED. SOME STATES DO NOT ALLOW LIMITATIONS ON HOW LONG AN IMPLIED WARRANTY LASTS, SO THE ABOVE LIMITATION MAY NOT APPLY TO YOU.

JET SHALL IN NO EVENT BE LIABLE FOR DEATH, INJURIES TO PERSONS OR PROPERTY, OR FOR INCIDENTAL, CONTINGENT, SPECIAL, OR CONSEQUENTIAL DAMAGES ARISING FROM THE USE OF OUR PRODUCTS. SOME STATES DO NOT ALLOW THE EXCLUSION OR LIMITATION OF INCIDENTAL OR CONSEQUENTIAL DAMAGES, SO THE ABOVE LIMITATION OR EXCLUSION MAY NOT APPLY TO YOU.

JET sells through distributors only. The specifications listed in JET printed materials and on official JET website are given as general information and are not binding. JET reserves the right to effect at any time, without prior notice, those alterations to parts, fittings, and accessory equipment which they may deem necessary for any reason whatsoever. JET® branded products are not sold in Canada by JPW Industries, Inc.

Product Listing with Warranty Period

90 Days – Parts; Consumable items; Light-Duty Air Tools
1 Year – Motors; Machine Accessories; Heavy-Duty Air Tools; Pro-Duty Air Tools
2 Year – Metalworking Machinery; Electric Hoists, Electric Hoist Accessories
5 Year – Woodworking Machinery
Limited Lifetime – JET Parallel clamps; VOLT Series Electric Hoists; Manual Hoists; Manual Hoist Accessories; Shop Tools; Warehouse & Dock products; Hand Tools

NOTE: JET is a division of JPW Industries, Inc. References in this document to JET also apply to JPW Industries, Inc., or any of its successors in interest to the JET brand.

2.0 Table of contents

Section	Page
1.0 Warranty and Service.....	2
2.0 Table of contents.....	3
3.0 About this machine and manual.....	3
5.0 Specifications.....	5
6.0 Setup and assembly.....	6
7.0 Operation.....	6
8.0 Maintenance.....	6
8.1 Carriage/Roller Alignment.....	6
9.0 Replacement Parts.....	8
9.1.1 JWS-770A Mast Assembly – Exploded View.....	8
9.1.2 JWS-770A Mast Assembly – Parts List.....	9
9.2.1 JWS-770A Drive Assembly – Exploded View.....	10
9.2.2 JWS-770A Drive Assembly – Parts List.....	10


3.0 About this machine and manual

Your winch stacker is designed to prevent lifting injuries by providing a stable, mobile lifting device for moderate to heavy loads. It is ideal for use in confined areas or narrow aisles. The stacker is easy to operate with an adjustable length winch handle, braking system, smooth rolling, long lasting nylon load wheels, and caster locks.

This manual is provided by JET covering the safe operation and maintenance procedures for the JET Model JWS-770A Winch Stacker. This manual contains instructions on installation, safety precautions, general operating procedures, maintenance instructions and parts breakdown. Your machine has been designed and constructed to provide years of trouble-free operation if used in accordance with the instructions as set forth in this document.

If there are questions or comments, please contact your local supplier or JET. JET can also be reached at our web site: www.jettools.com.

Retain this manual for future reference. If the stacker transfers ownership, the manual should accompany it.

 WARNING Read and understand the entire contents of this manual before attempting assembly or operation! Failure to comply may cause serious injury!



4.0 Safety warnings

1. Read and understand all warnings and operating instructions before attempting to use the winch stacker.
2. Replace warning labels if they become obscured or removed.
3. Do not exceed rated capacity. Excessive load can cause tipping or loss of control.
4. Do not exceed load center capacity of stacker. Load center is measured horizontally from back of forks or platform. See *Figure 1*. Load center (A) is 18" on the JWS-770A Stacker.
5. Overall length of load must never be more than twice the load center capacity.
6. Do not allow anyone to sit or ride on fork, or enter area beneath forks.
7. Always keep fingers, hands and feet clear of forks and mast when lowering load.
8. Always secure load before raising or moving the stacker.
9. Do not allow more than half of load to extend beyond load center.
10. Always keep load close to mast.
11. Do not transport load in raised position.
12. Use on level, smooth, finished floors only. Do not use on uneven or sloping floors.
13. Always rotate winch handle slowly to allow load to descend in a controlled and cautious manner.
14. Always use genuine factory replacement parts only.
15. Do not operate stacker if cable is worn, frayed or damaged in any way; have it repaired immediately.
16. Failure to comply with all of these warnings may result in tipping, loss of control and load, damage to winch stacker, personal injury and/or property damage.

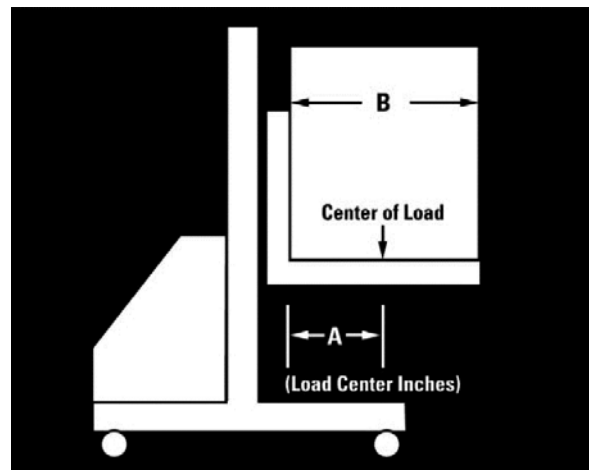


Figure 1

Familiarize yourself with the following safety notices used in this manual:

CAUTION This means that if precautions are not heeded, it may result in minor injury and/or possible machine damage.

WARNING This means that if precautions are not heeded, it may result in serious injury or possibly even death.

5.0 Specifications

Model number JWS-770A
Stock number 140511

Capacities and forces:

Load capacity770lb (350kg)
Pallet capacity 48" x 40" (1219 x 1016mm)
Load center 18" (457mm)
Maximum lift height 59" (1499mm)
Handle rotations to maximum height..... 33
Handle force required at maximum load.....35 lb (16kg)
Turning radius 360°/31" (788mm)

Dimensions:

Fork size 36"L x 3"W x 1-3/4"H (914 x 76 x 44.5mm)
Minimum fork height 3" (76mm)
Overall fork width (min./max.)6-3/8" / 30" (162 / 762mm)
Outrigger width 2-3/8" (60mm)
Outrigger height 2-3/8" (60mm)
Outrigger inside width (min./max.)33-1/2" / 49-1/2" (850 / 1257mm)
Outrigger outside width (min./max.) 39" / 55" (990 / 1500)
Wire rope diameter 13/64" (5mm)
Overall size 52"L x 39-1/2"W x 73"H (1320 x 1003 x 1854mm)
Height of center of hoist case 45" (1143mm)

Wheels:

Load wheel material and sizeBlack nylon / 3-1/4"OD x 2"W (83 x 51mm)
Caster material and size Bakelite / 6"OD x 1-1/4"W (153 x 32mm)
Caster locksyes

Net weight266 lb (121kg)
Shipping weight296 lb (134kg)

The specifications in this manual were current at time of publication, but because of our policy of continuous improvement, JET, reserves the right to change specifications at any time and without prior notice, without incurring obligations.

6.0 Setup and assembly

1. Remove all packing material from the stacker.
2. Locate the winch handle assembly that has been reversed for shipping purposes. Loosen the nut (A, Figure 2) and pull handle (B, Figure 2) from the base (C, Figure 2). Reverse the handle and install into base as shown. Tighten nut (A, Figure 2).

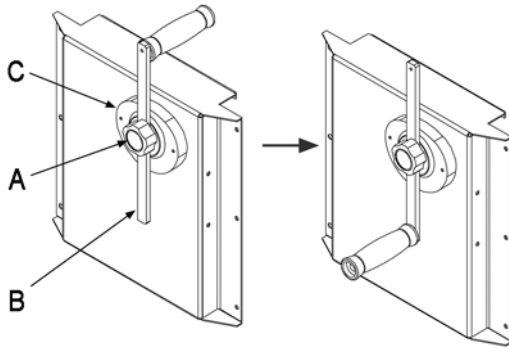


Figure 2

3. To assemble forks, unscrew socket head flat screw (#45, page 7). Tap fork shaft out (#48, page 7). Forks to be assembled must come from same crate as the mast.
4. Align holes in forks (#46, page 7) with holes in carriage (#47, page 7) and tap fork shaft through carriage and fork holes.
5. Be sure assembled forks are even and parallel. Reinstall socket head flat screw in carriage to hold fork shaft in place.
6. To assemble outrigger legs, check to be sure that the legs to be assembled come from the same crate as the mast.
7. Insert outrigger legs (#13L and #13R, page 7) into square holes located in bottom of mast (#8, page 7). Align holes in legs with holes in mast to enable legs to be equal distance from mast.
8. Fasten legs to mast with 4 hex cap screws (#16), 4 lock washers (#15) and 4 hex nuts (#14, page 7). Tighten hex nuts firmly.

⚠WARNING Do not overload the stacker. Use on finished, smooth and level floors only. Do not use on sloped or uneven floors.

7.0 Operation

1. Insert both forks evenly and completely under load. Load must be distributed equally on both forks and toward the mast. Do not allow more

than half the load to extend beyond load center. Do not lift load with fork tips only and do not lift unstable or loose load.

2. Turn winch handle clockwise to raise load. When forks reach maximum height, the winch will stop. Do not exceed maximum lifting height.
3. Use both hands with a firm grip to push and steer the stacker on level, smooth finished floors only. Keep all people clear from stacker while lifting and transporting load.
4. To lower load, carefully turn handle counter-clockwise to enable load to lower in a cautious manner.

⚠CAUTION When not in use, do not allow heavy loads to remain on the forks for an extended period of time.

8.0 Maintenance

For optimum performance, the drive chain (#37, page 9) located inside the drive assembly should be lubricated regularly with chain oil.

Frequently check condition of wire rope (#1, page 7). Apply a penetrating wire rope lubricant as needed to protect and extend the service life of the rope. If wire rope has become dirty or acquired other contaminants, clean with a wire brush and kerosene, allow to dry, then immediately (to prevent rusting) apply wire rope lubricant.

Always store the winch stacker without load, and forks in lowest position.

8.1 Carriage/Roller Alignment

If the forks ever become misaligned, adjust the side roller assemblies as follows (Figure 3):

1. Tighten screw (D) to secure Side Roller Bracket (A) in position with carriage side plate.
2. Shift Bracket (A) by hand to keep it parallel to Mast assembly.
3. Loosen nut (C) and turn screw (B) to shift Bracket (A) in or out as needed. Repeat this with top and bottom screws at both sides of frame.
4. Rock carriage sideways to confirm proper spacing/tightness, and make any further adjustments as needed.
5. When satisfied, tighten all nuts (C).

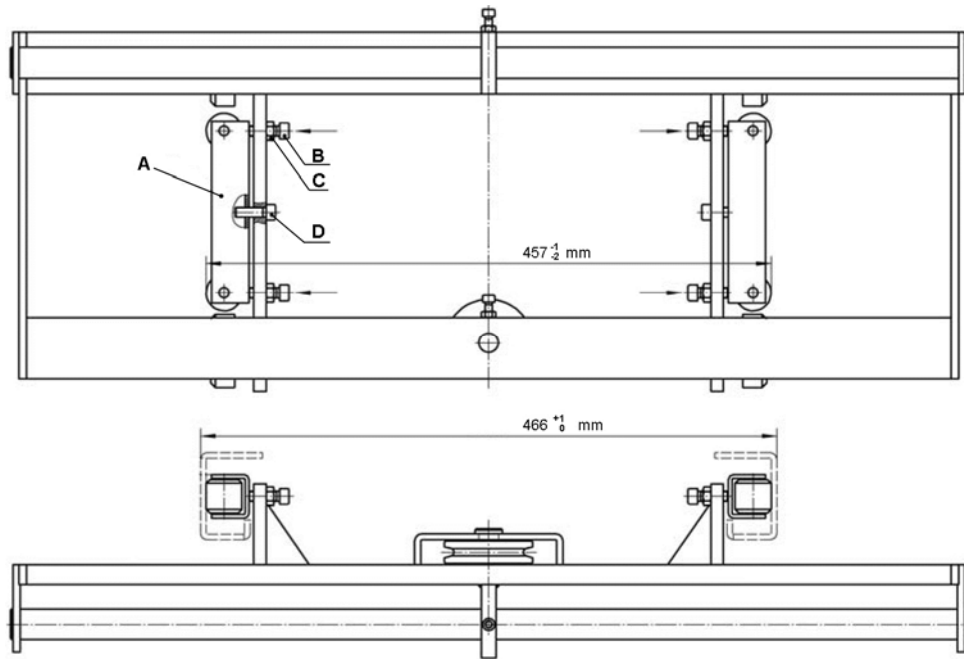
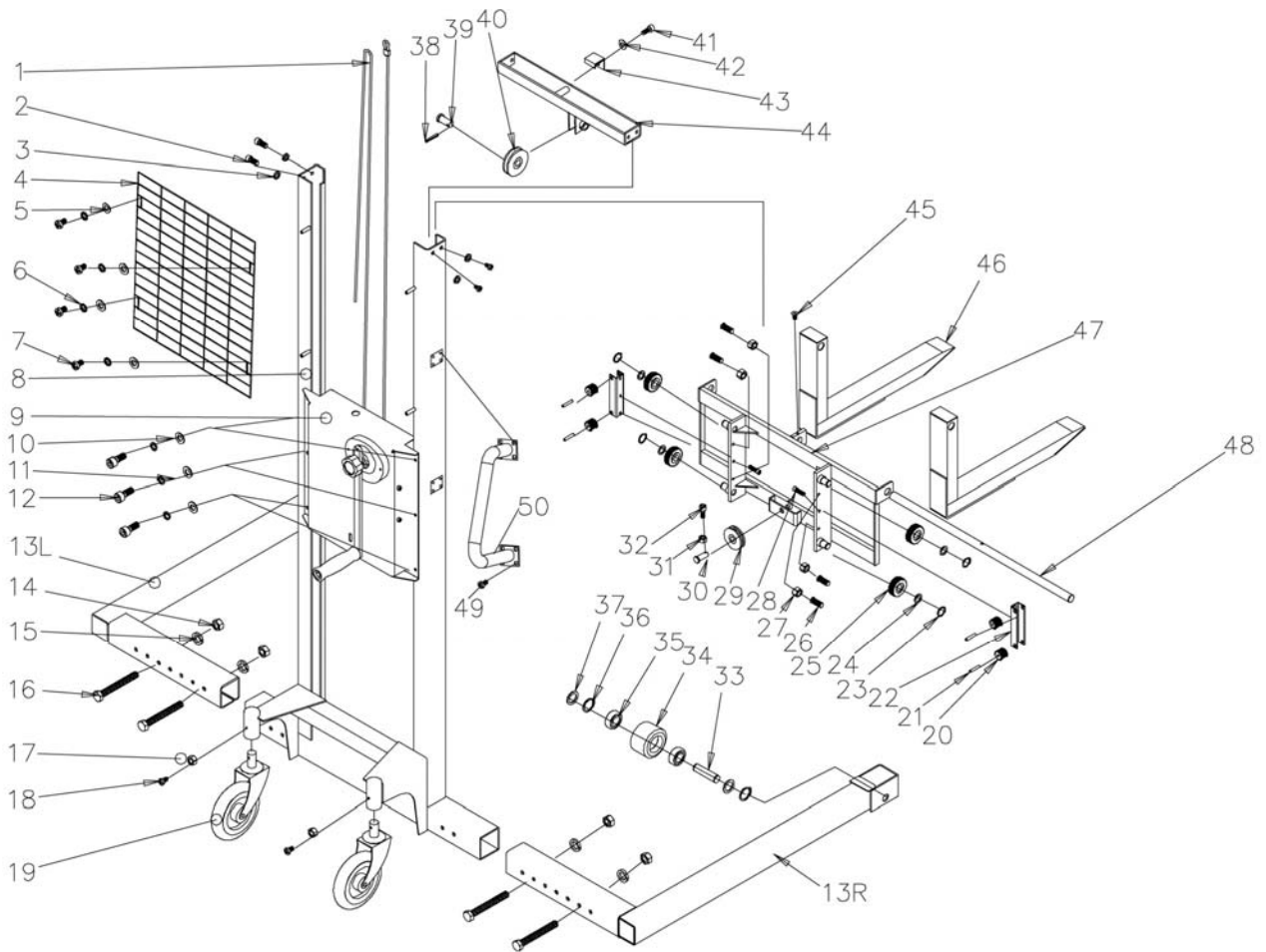


Figure 3

9.0 Replacement Parts

To order parts or reach our service department, call 1-800-274-6848 Monday through Friday (see our website for business hours, www.jettools.com). Having the Model Number and Serial Number of your machine available when you call will allow us to serve you quickly and accurately.

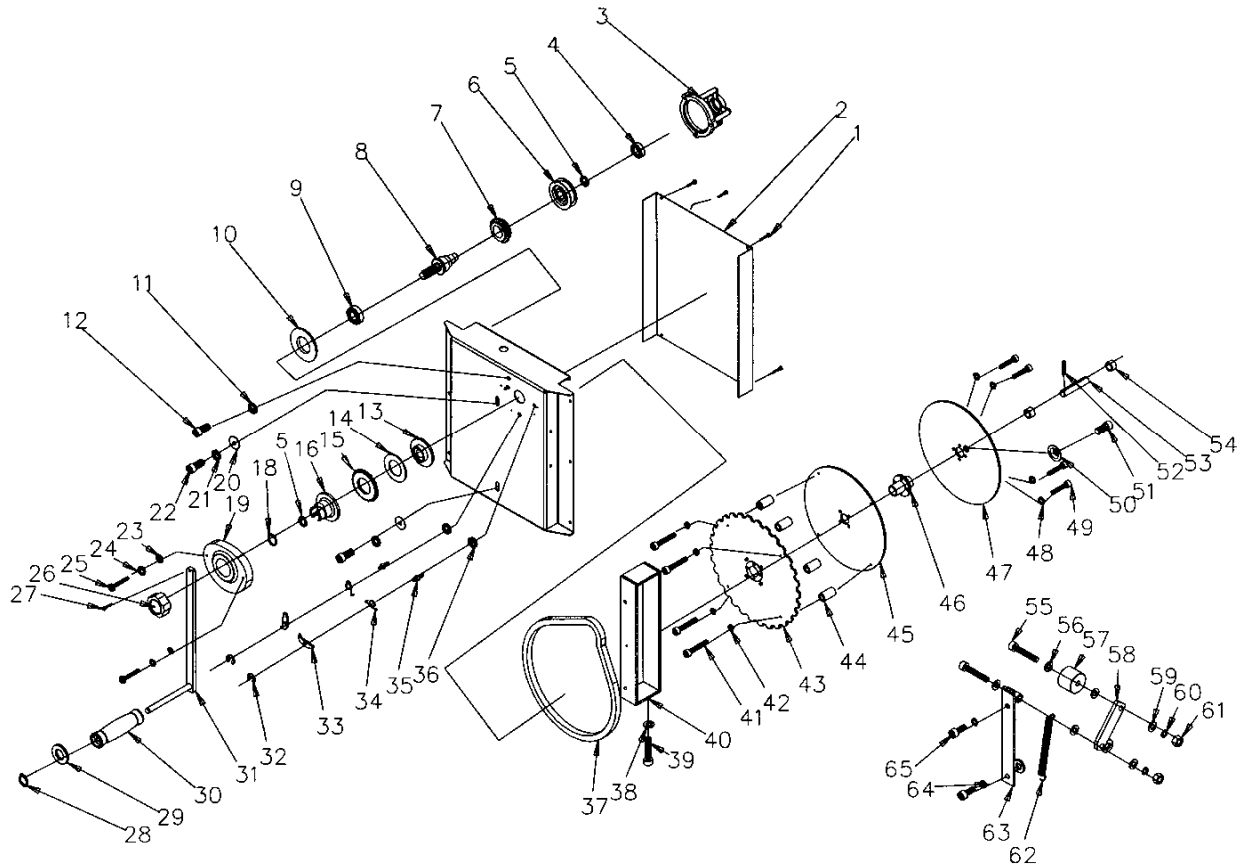
9.1.1 JWS-770A Mast Assembly – Exploded View



9.1.2 JWS-770A Mast Assembly – Parts List

Index No	Part No	Description	Size	Qty
1	JWS-02-01	Wire Rope Assembly		1
2	TS-1504031	Socket Head Cap Screw	M8 x 16	4
3	TS-1551061	Lock Washer	M8	4
4	JWS-02-04	Steel Fence		1
5	TS-1550031	Flat Washer	M5	4
6	TS-1551031	Lock Washer	M5	4
7	TS-1533032	Phillips Pan Head Machine Screw	M5 x 10	4
8	JWS-03-08	Mast Assembly		1
9	JWS-01	Drive Assembly		1
10	TS-1550041	Flat Washer	M6	6
11	TS-1551041	Lock Washer	M6	6
12	TS-1503021	Socket Head Cap Screw	M6 x 10	6
13L	JWS-03-13L	Outrigger Leg Left		1
13R	JWS-03-13R	Outrigger Leg Right		1
14	TS-1540071	Hex Nut	M10	4
15	TS-1551071	Lock Washer	M10	4
16	TS-2239801	Hex Cap Screw	M10 x 80	4
17	TS-1540041	Hex Nut	M6	2
18	TS-2286252	Phillips Pan Head Machine Screw	M6 x 25	2
19	JWS-02-15	Caster Assembly	Ø 150 x 32 mm	2
20	JWS-02-16	Side Roller	Ø 29 x Ø 8.6 x 27mm	4
21	JWS-02-17	Spring Pin	Ø 8 x 35 mm	4
22	JWS-02-18	Side Roller Bracket		2
23	JWS-02-19	Snap Ring	M20	4
24	JWS-02-20	Mast Roller Washer		4
25	JWS-02-21	Mast Roller	Ø 60 x Ø 20.5 x 22.5mm	4
26	TS-1504051	Socket Head Cap Screw	M8 x 25	4
27	TS-1540061	Hex Nut	M8	4
28	TS-1504051	Socket Head Cap Screw	M8 x 25	2
29	JWS-02-25	Wire Pulley	Ø 72 x Ø 16.2 x 19mm	1
30	JWS-02-26	Pulley Pin	Ø 16 x 46	1
31	TS-1540041	Hex Nut	M6	1
32	TS-1503061	Socket Head Cap Screw	M6 x 25	1
33	JWS-02-29	Load Wheel Pin	Ø 20 x 79 mm	2
34	JWS-02-30	Load Wheel	Ø 82 x 55 mm	2
35	BB-6204ZZ	Ball Bearing	6204ZZ	4
36	JWS-02-32	Load Wheel Washer		4
37	JWS-02-19	Snap Ring	M20	4
38	JWS-01-52	Spring Pin	Ø 4 x 25 mm	1
39	JWS-02-35	Pulley Pin	Ø 16 x 46 mm	1
40	JWS-02-36	Wire Pulley	Ø 72 x Ø 16.2 x 19mm	1
41	TS-1503021	Socket Head Cap Screw	M6 x 10	1
42	TS-1551041	Lock Washer	M6	1
43	JWS-02-39	Wire Lock		1
44	JWS-02-40	Mast Cross Bar		1
45	TS-1503061	Socket Head Cap Screw	M6 x 25	1
	TS-1540041	Hex Nut	M6	1
46	JWS-03-46	Fork		2
47	JWS-03-47	Carriage		1
48	JWS-03-48	Fork Shaft	Ø 25 x 775 mm	1
49	TS-1503021	Socket Head Cap Screw	M6 x 10	16
50	JWS-03-50	Rubber Grip Handle		2
	JWS-FW	Fork Warning Label		1
	PT2748J-JET	JET Logo Label		2

9.2.1 JWS-770A Drive Assembly – Exploded View



9.2.2 JWS-770A Drive Assembly – Parts List

Index No	Part No	Description	Size	Qty
.....	JWS-01	Drive Assembly (index #1 through 65).....		
1	JWS-01-01	Self-Tapping Screw	M4.8 x 16	4
2	JWS-01-02	Cover		1
3	JWS-01-03	Brake Base		1
4	BB-6003ZZ	Ball Bearing	6003ZZ	1
5	JWS-01-05	Washer	Ø25 x Ø17 x 2 mm	1
6	JWS-01-06	Idler	Ø70 x Ø20 x 20 mm	1
7	JWS-01-07	Free Wheel		1
8	JWS-01-08	Input Shaft		1
9	BB-6004ZZ	Ball Bearing	6004ZZ	1
10	JWS-01-10	Bearing Case		1
11	TS-1551061	Lock Washer	M8	1
12	TS-1504031	Socket Head Cap Screw	M8 x 15	1
13	JWS-01-13	Friction Disc		1
14	JWS-01-14	Lining		1
15	JWS-01-15	Ratchet Wheel		1
16	JWS-01-16	Handle Base		1
18	JWS-01-18	Snap Ring	M16	1
19	JWS-01-19	Brake Cover		1
20	JWS-01-20	Washer	Ø31.5 x Ø9 x 1.5mm	2
21	TS-1551061	Lock Washer	M8	2
22	TS-1504031	Socket Head Cap Screw	M8 x 15	2
23	TS-1550021	Flat Washer	M4	2
24	TS-1551021	Lock Washer	M4	2

Index No	Part No	Description	Size	Qty
25	TS-2284252	Phillips Pan Head Machine Screw	M4 x 25	2
26	JWS-01-26	Handle Nut		1
27	JWS-01-27	Self-Tapping Screw	M4.8 x 8	1
28	JWS-01-28	Snap Ring	M12	1
29	TS-2360121	Flat Washer	M12	1
30	JWS-01-30	Handle Knob		1
31	JWS-01-31	Handle Arm		1
32	JWS-01-32	E-Ring	M6	2
33	JWS-01-33	Ratchet		2
34	JWS-01-34	Ratchet Spring		2
35	JWS-01-35	Ratchet Bolt		2
36	TS-1551061	Lock Washer	M8	2
37	JWS-01-37	Drive Chain		1
38	TS-1550061	Flat Washer	M8	1
39	TS-1504051	Socket Head Cap Screw	M8 x 25	1
40	JWS-01-40	Wire Drum Case		1
41	TS-1502071	Socket Head Cap Screw	M5 x 30	4
42	TS-1551031	Lock Washer	M5	4
43	JWS-01-43	Sprocket		1
44	JWS-01-44	Spacer		4
45	JWS-01-45	Drum Plate		1
46	JWS-01-46	Connector		1
47	JWS-01-47	Drum Plate		1
48	TS-1551041	Lock Washer	M6	4
49	TS-1503071	Socket Head Cap Screw	M6 x 30	4
50	JWS-01-50	Wire Lock		1
51	TS-1504011	Socket Head Cap Screw	M8 x 10	1
52	JWS-01-52	Spring Pin	Ø 4 x 25 mm	1
53	JWS-01-53	Wire Drum Pin		1
54	JWS-01-54	Spacer	Ø 16 x Ø 20 x 14mm	1
55	TS-1503081	Socket Head Cap Screw	M6 x 35	2
56	TS-1550041	Flat Washer	M6	2
57	JWS-01-57	Roller	Ø 25 x Ø 6.1 x 20mm	1
58	JWS-01-58	Roller Bracket		1
59	TS-1550041	Flat Washer	M6	2
60	TS-1551041	Lock Washer	M6	2
61	TS-1540041	Hex Nut	M6	2
62	JWS-01-62	Spring		1
63	JWS-01-63	Bracket		1
64	TS-1551041	Lock Washer	M6	2
65	TS-1503021	Socket Head Cap Screw	M6 x 10	2
	JWS770A-ID	ID/Warning Label (JWS-770A)		1
	JWS-LCW	Load Center Warning Label		1



427 New Sanford Road
LaVergne, Tennessee 37086
Phone: 800-274-6848
www.jettools.com