



Model RCB-25, 5/8-inch Rebar Cutter/Bender



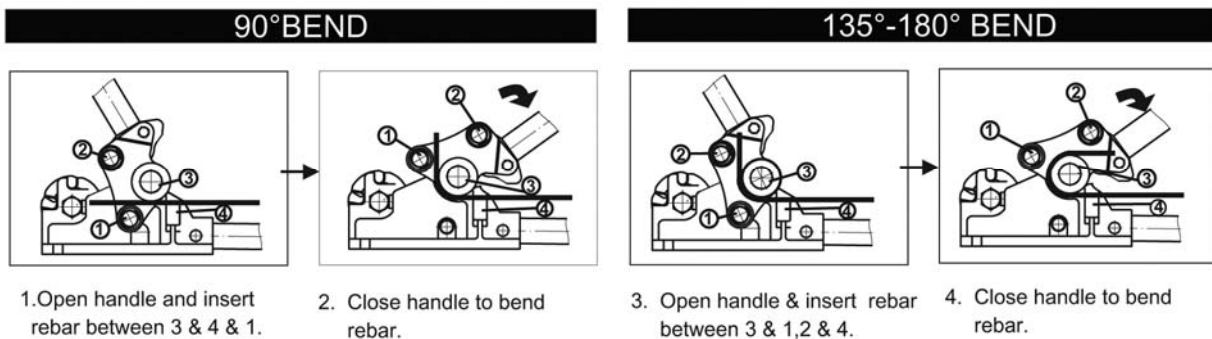
IMPORTANT SAFETY INSTRUCTIONS

TO REDUCE RISK OF INJURY:

- Read and understand all warnings posted on the tool. Failure to comply with all of these warnings may cause serious injury.
- This tool is designed and intended for the cutting of rebar. Use for any other purpose may void warranty.
- Always wear ANSI Z87.1 approved safety glasses or face shield while using this tool.
- Keep hands and feet clear of the cutting area. Keep bystanders away.
- Cut pieces of rebar may exit the tool at high velocity, causing injury – use appropriate precautions.



Operation:



JET

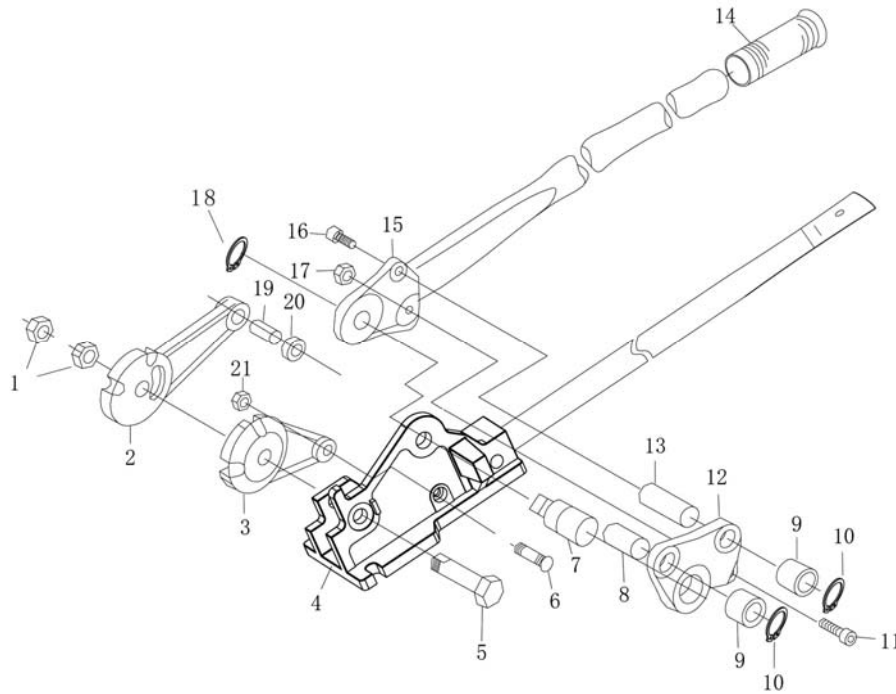
427 New Sanford Road
LaVergne, Tennessee 37086
Ph.: 800-274-6848
www.jettools.com

Part No. M-220025

Edition 1 12/2015

Copyright © 2015 JET, a Division of JPW Industries, Inc.

RCB-25 Rebar Cutter Bender



Index No.	Part No.	Description	Size	Qty
.....	220025	RCB-25 Rebar Cutter/Bender (includes #1 thru 23)
1	RCB16-22	Hex Nut*	M20x1.5	2
2	RCB25-02	Jaw*		1
3	RCB25-03	Jaw*		1
4	RCB25-04	Body with Anchor Plate and Handle		1
5	RCB25-05	Head Center Bolt*		1
6	RCB25-06	Bolt*	M14x1.5	1
7	RCB25-07	Handle Fitting Pin		1
8	RCB25-08	Bender Pin		1
9	RCB25-09	Roller		2
10	RCB16-20	Snap Ring	25mm	2
11	TS-1506051	Socket Head Cap Screw	M12x40	1
12	RCB25-12	Plate		1
13	RCB25-13	Bender Pin		1
14	RCB25-14	Rubber Grip		1
15	RCB25-15	Handle with Head		1
16	TS-1506021	Socket Head Cap Screw	M12x25	1
17	TS-2311121	Hex Nut	M12-1.75	1
18	RCB16-109	Snap Ring	22mm	1
19	RCB25-19	Roller Pin for Jaw*		1
20	RCB25-20	Roller for Jaw*		1
21	TS-2310142	Hex Nut*	M14x1.5	1
22	LM000144	Warning Label (not shown)		1
23	LM000145	Instruction Label (not shown)		1
.....	220026	Replacement Head Assembly	

* Parts Included in Replacement Head Assembly (Stock # 220026)

To order parts or reach our service department, call 1-800-274-6848 Monday through Friday, 8:00 a.m. to 5:00 p.m. CST. Having the Model Number and Serial Number of your tool available when you call will allow us to serve you quickly and accurately.

Some parts are shown for reference only, and may not be available individually.

Non-proprietary parts, such as fasteners, can usually be found at local hardware stores, or may be ordered from JET.