



Assembly Instructions

Infeed and Outfeed Tables (Stock No. 98-2202)

for use with Model 22-44 Plus Drum Sander

Numbers in parentheses refer to Figure 2 and the breakdown on reverse side.

1. Bolt the base bracket (2) to the sander with two 3/8"-16 x 1" hex head cap screws (3) and two 3/8" flat washers (4). Tighten the screws.
2. Mount the table (1) to the base bracket (2) with four 1/4"-20 x 3/4" carriage bolts (5), four 1/4" flat washers (6) and four 1/4" hex nuts (7). **Note:** Leave the carriage bolts loose for now.
3. Place a straight edge on the conveyor bed and extending out over the extension table. Raise or lower the extension table until it is level with, or slightly below, the surface of the conveyor belt. Tighten the hex nuts (7).
4. Repeat for the opposite side.



Figure 1

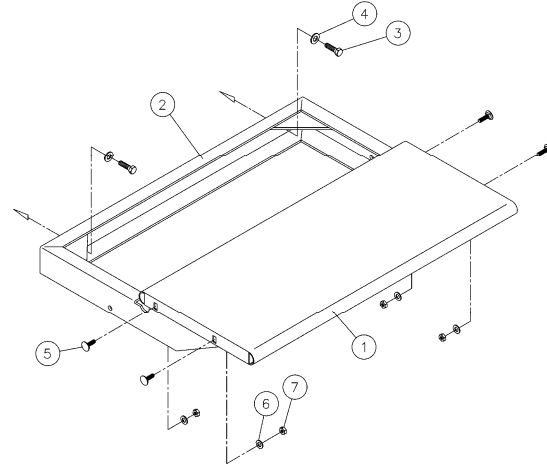
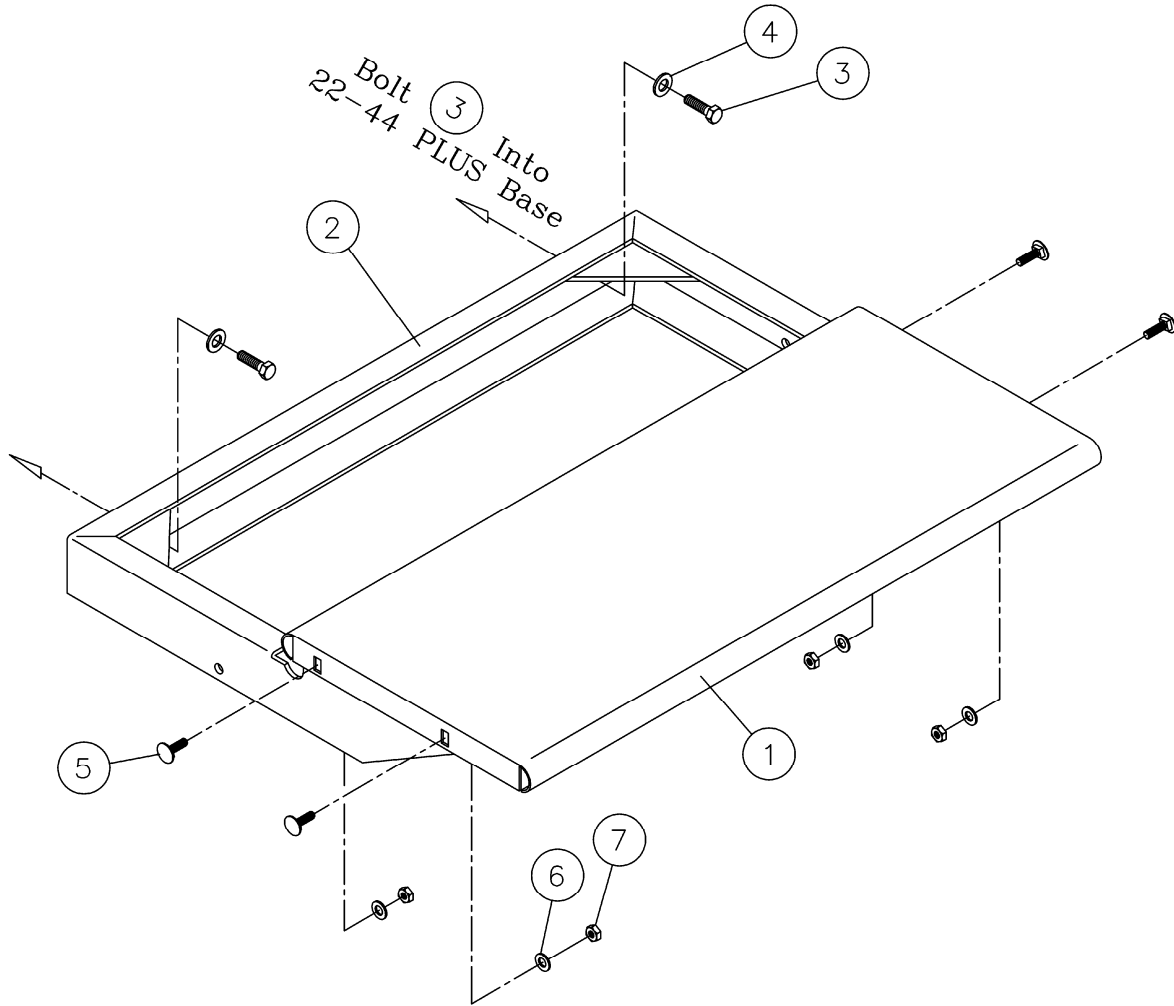


Figure 2

JET
427 New Sanford Road
LaVergne, Tennessee 37086
Ph.: 800-274-6848
www.jettools.com

Part No. M-98-2202
Revision C2 01/2014
Copyright © 2014 JET

Parts Breakdown for the 22-44 Plus Infeed and Outfeed Table



Index No.	Part No.	Description	Size	Qty.
1.....	2244PLUS-501	Table.....		2
2.....	2244PLUS-502	Base Bracket.....		2
3.....	TS-0060051	Hex Head Cap Screw	3/8"-16UNC x 1"	4
4.....	TS-0680041	Flat Washer	3/8"	4
5.....	2244PLUS-505	Carriage Bolt	1/4"-20UNC x 3/4"	8
6.....	TS-0680021	Flat Washer	1/4"	8
7.....	TS-0561011	Hex Nut.....	1/4"	8