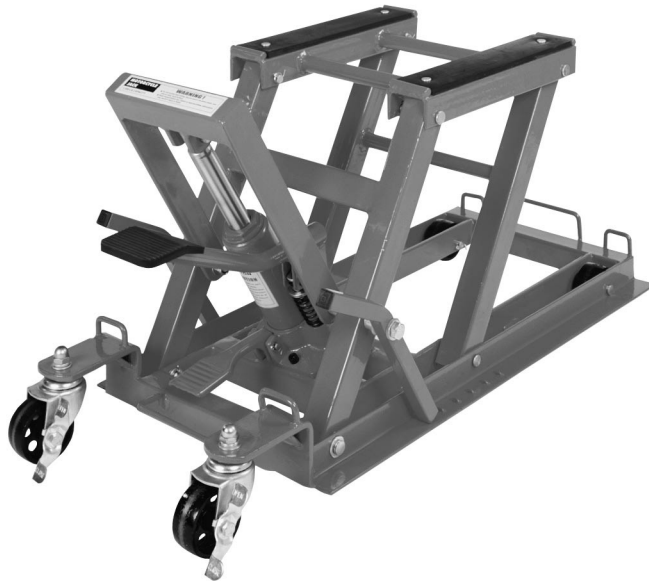


JET[®]

OWNER'S MANUAL JMJ-1500 Motorcycle/ATV Jack



JET
WMH Tool Group
www.wmhtoolgroup.com

P.O. BOX 1349
Auburn, WA 98071-1349
e-mail jet@wmhtoolgroup.com

Phone: 253-351-6000
Fax: 1-800-274-6840
M-454355 1/03

This manual has been prepared for the owner and operators of a JET JMJ-1500 Motorcycle/ATV Jack. Its purpose, aside from jack operation, is to promote safety through the use of accepted correct operating and maintenance procedures. Completely read the safety and maintenance instructions before operating or servicing the jack. To obtain maximum life and efficiency from your jack, and to aid in using the jack safely, read this manual thoroughly and follow instructions carefully.

Warranty & Service

WMH Tool Group warrants every product it sells. If one of our tools needs service or repair, one of our Authorized Repair Stations located throughout the United States can give you quick service.

In most cases, any one of these WMH Tool Group Repair Stations can authorize warranty repair, assist you in obtaining parts, or perform routine maintenance and major repair on your JET, Performax, Powermatic or Wilton tools.

For the name of an Authorized Repair Station in your area, call 1-800-274-6848.

More Information

WMH Tool Group is consistently adding new products to the line. For complete, up-to-date product information, check with your local WMH Tool Group distributor or visit wmhtoolgroup.com.

Limited Warranty

WMH Tool Group (including JET, Performax, Powermatic and Wilton brands) makes every effort to assure that its products meet high quality and durability standards and warrants to the original retail consumer/purchaser of our products that each product be free from defects in materials and workmanship as follows: 1 YEAR LIMITED WARRANTY ON ALL PRODUCTS UNLESS SPECIFIED OTHERWISE. This warranty does not apply to defects due directly or indirectly to misuse, abuse, negligence or accidents, normal wear-and-tear, repair or alterations outside our facilities, or to a lack of maintenance.

WMH TOOL GROUP LIMITS ALL IMPLIED WARRANTIES TO THE PERIOD SPECIFIED ABOVE, FROM THE DATE THE PRODUCT WAS PURCHASED AT RETAIL. EXCEPT AS STATED HEREIN, ANY IMPLIED WARRANTIES OR MERCHANTABILITY AND FITNESS ARE EXCLUDED. SOME STATES DO NOT ALLOW LIMITATIONS ON HOW LONG THE IMPLIED WARRANTY LASTS, SO THE ABOVE LIMITATION MAY NOT APPLY TO YOU. WMH TOOL GROUP SHALL IN NO EVENT BE LIABLE FOR DEATH, INJURIES TO PERSONS OR PROPERTY, OR FOR INCIDENTAL, CONTINGENT, SPECIAL, OR CONSEQUENTIAL DAMAGES ARISING FROM THE USE OF OUR PRODUCTS. SOME STATES DO NOT ALLOW THE EXCLUSION OR LIMITATION OF INCIDENTAL OR CONSEQUENTIAL DAMAGES, SO THE ABOVE LIMITATION OR EXCLUSION MAY NOT APPLY TO YOU.

To take advantage of this warranty, the product or part must be returned for examination, postage prepaid, to an Authorized Repair Station designated by our office. Proof of purchase date and an explanation of the complaint must accompany the merchandise. If our inspection discloses a defect, WMH Tool Group will either repair or replace the product, or refund the purchase price if we cannot readily and quickly provide a repair or replacement, if you are willing to accept a refund. WMH Tool Group will return repaired product or replacement at our expense, but if it is determined there is no defect, or that the defect resulted from causes not within the scope of our warranty, then the user must bear the cost of storing and returning the product. This warranty gives you specific legal rights; you may also have other rights, which vary from state to state.

WMH Tool Group sells through distributors only. WMH Tool Group reserves the right to effect at any time, without prior notice, those alterations to parts, fittings, and accessory equipment which they may deem necessary for any reason whatsoever.

 **WARNING**

- Read, study and understand all warnings and operating instructions before attempting to use this jack.
- This jack is designed and intended for use by properly trained and experienced personnel only. If you are not familiar with the proper and safe operation of a jack, do not use until proper training and knowledge has been obtained.
- This jack is a lifting device only. In the raised position, do not move or dolly the vehicle while on the jack.
- Always use built-in safety arms (jack stands) when under load and hold down straps (not included) to secure load to jack.
- Do not exceed 1,500 lbs. rated capacity. Overloading can cause damage to and/or failure of the jack.
- Jack shall be inspected immediately if subjected to abnormal load or shock. If jack is damaged and/or operates abnormally, remove from service until repaired.
- Lift only on areas of the vehicle specified by the vehicle manufacturer.
- This jack is designed for use on hard, level finished surfaces capable of sustaining the load. Use on other than hard, level surfaces can result in jack instability and possible loss of load.
- If moving jack with load, always lower load to the lowest position and transport with extreme caution. Load must be securely fastened to jack with hold down straps (not included) prior to transport.
- Always replace damaged, missing or worn labels and use only genuine factory replacement parts when replacement is necessary.
- No alterations shall be made to this product.
- Failure to comply with all of these warnings may result in loss of load, damage to jack, and/or failure resulting in personal injury or property damage.

Table of Contents

Warranty	2
Warnings	3
Specifications	4
Introduction.....	4
Assembly.....	5
Operation	5
Maintenance.....	5
Troubleshooting.....	6
Parts Breakdown & List.....	7-8

Specifications

Model Number.....	JMJ-1500
Stock Number.....	454355
Capacity (lbs)	1,500
Minimum Height (in)	5-1/2
Maximum Height (in)	17-3/4
Saddle Dimension L x W (in)	12 x 2-1/2
Distance Between Saddles (in)	8-1/4 inside; 13-1/8 outside
Safety Arm Positions	6
Foot Strokes to Reach Max Height	44
Tow Handle Size OD x L (in)	1 x 31
Overall Dimensions L x W x H (in).....	36 x 16 x 14
Net Weight (lbs).....	78
Shipping Weight (lbs)	82

Introduction

Congratulations on your purchase of a JET Motorcycle/ATV Jack.

Your multipurpose motorcycle jack is designed to safely lift and support a wide variety of motorcycles, all terrain vehicles (ATVs), riding lawn mowers, and other similar vehicles up to 1,500 pounds. The jack is easy to assemble and operate.

With many important features including automatic safety overload bypass to prevent overload damage, six position built-in jack stands to prevent accidental lowering while under load, chrome plated ram piston and a powder coat finish to inhibit rust, your JET Motorcycle/ATV Jack will provide years of dependable service.

The specifications in this manual are given as general information and are not binding. WMH Tool Group reserves the right to effect, at any time without prior notice, changes or alterations to parts, fittings, and accessory equipment deemed necessary for any reason whatsoever.

Assembly

(refer to Parts Breakdown Index Numbers)

Carton contents include the following items:

Description	Qty.
Lift Base (4)	1
Hydraulic Ram (20)	1
Foot Pedal Assembly (19)	1
Tow Handle (1)	1
Hardware Kit	1
Manual	1
Warranty Card	1

1. Secure hydraulic ram (20) to the lift base (4) with two screws (21 & 21A).
2. Insert foot pedal assembly (19) into hole over pump piston and secure it with screw (19A) and flat washer (19B).
3. Raise lifting frame (17) to the proper height and align holes in the hydraulic ram (20) with the holes in the middle of the lifting frame. Secure ram to lifting frame with clevis pin (18) and R-pin (22) provided.
4. Place the spring (18A) in position between the clevis pin (18) and screw (18B).

Operation

1. Before each use, visually inspect jack for abnormal conditions such as cracked welds, leaks, and damaged, loose or missing parts.
2. To raise the jack, center it directly below object to be lifted. Pump the foot pedal (19) slowly, making sure saddle takes up weight firmly and centrally. Check positioning under slight load to confirm load is centered on jack and load will not shift or slip.
3. Continue to raise jack slowly by pumping foot pedal to reach desired height.
4. Once desired height has been reached, raise safety arms (8) or built-in jack stands, to engage in raised tabs on lift base (4). SLOWLY press pump release foot pedal (23) to allow load to lower and rest on safety arms.
5. Secure load to jack with hold down straps (not included). Fasten hold down straps to steel loops on front and rear of frame.

6. To transport jack under load, lower jack with foot pedal (23) SLOWLY to the lowest position and always use the tow handle (1). Use EXTREME CAUTION when transporting jack under load!
7. To lower jack, raise load slightly with foot pedal (19) and disengage safety arms (8) from lift base (4). Press pump release foot pedal (23) until jack has been completely lowered. Unfasten hold down straps and remove jack from vehicle.

WARNING

All tools and personnel must be clear before lowering and/or transporting load. Always lower jack slowly. Failure to comply may cause damage to property and/or serious personal injury.

Maintenance

Adding/Changing Hydraulic Oil:

Maintain oil at full level. For best performance and long life, replace hydraulic fluid once a year.

1. With saddle (10) lowered completely, remove oil plug located in hydraulic ram (20).
2. Drain fluid into appropriate container. Always dispose of oil in accordance with local regulations.
3. Use only good quality hydraulic jack oil. Fill until oil is level with inner cylinder as seen from the opening of the filler hole. Reinstall oil plug.

Lubricate the jack as indicated on a regular basis with 30W oil.

1. Saddle and linkage on foot pedals and all moving and pivoting parts.
2. Front and rear lifting arms.

Always store jack in the fully lowered position.

Inspect jack annually for defective parts, missing safety labels or decals. If jack is found to be damaged or defective in any way, or operates abnormally, it shall be removed from service until repaired.

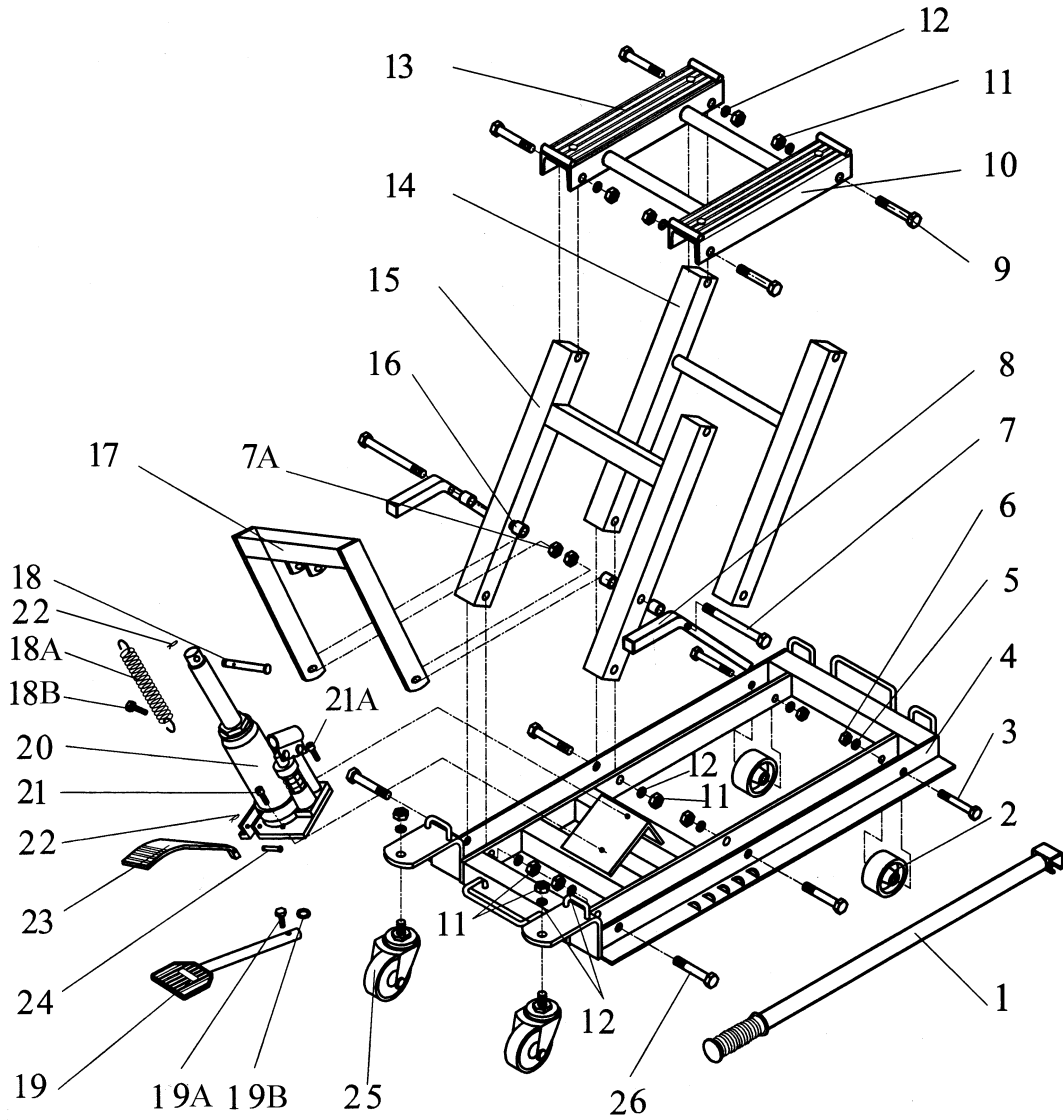
Troubleshooting

When cared for as described in the maintenance section of the manual, your JET Motorcycle/ATV Jack will provide many years of trouble-free service. However, as with any mechanical device, periodic adjustments may be necessary to maintain peak level of performance. Should your jack display any of the following symptoms, the simple procedures shown below should correct the problem.

Trouble	Cause	Remedy
Jack will not lift load.	<ul style="list-style-type: none"> • Release valve not closed. • Overload condition. 	<ul style="list-style-type: none"> • Close release valve. With ram fully lowered, manually lift the saddle as high as possible. Open the release valve and allow the saddle to descend to the lowered position. • Correct overload condition.
Jack will not hold load.	<ul style="list-style-type: none"> • Release valve not tightly closed. • Overload condition. • Hydraulic unit malfunction. 	<ul style="list-style-type: none"> • Tighten release valve knob. • Correct overload condition. • Contact WMH technical service.
Jack will not lower when release valve is open.	<ul style="list-style-type: none"> • Reservoir is overfilled. • Linkage binding. 	<ul style="list-style-type: none"> • Drain oil to proper level. • Clean and lubricate moving parts.
Jack will not lift to full height or pump feels "spongy" under load.	<ul style="list-style-type: none"> • Oil level low. • Air is trapped in system. 	<ul style="list-style-type: none"> • Fill oil to proper level. • Open the release valve and pump foot pedal to a minimum of 20 strokes to purge air from the system.
Jack will not lift to full height.	<ul style="list-style-type: none"> • Oil level low. • Air is trapped in system. 	<ul style="list-style-type: none"> • Fill oil to proper level. • Open the release valve and pump foot pedal a minimum of 20 strokes to purge air from the system.

Parts Breakdown

JMJ-1500 Motorcycle/ATV Jack



Parts List

JMJ-1500 Motorcycle/ATV Jack

Index No.	Part No.	Description	Size	Qty.
1	JMJ1500-1	Tow Handle		1
2	JMJ1500-2	Front Wheel		2
3	TS-1491121	Hex Cap Screw	M10 x 70	2
4	JMJ1500-4	Lift Base		1
5	TS-1551071	Lock Washer	M10	2
6	TS-1540071	Hex Nut	M10	2
7	TS-222A931	Hex Cap Screw	M12 x 120	2
7A	TS-2342121	Nylon Lock Hex Nut	M12	2
8	JMJ1500-8	Safety Arm		2
9	TS-1499141	Hex Head Bolt	M12 x 80	4
10	JMJ1500-10	Saddle		1
11	TS-1540081	Hex Nut	M12	10
12	TS-1551081	Lock Washer	M12	10
13	JMJ1500-13	Rubber Pad		2
14	JMJ1500-14	Front Lifting Arm		1
15	JMJ1500-15	Rear Lifting Arm		1
16	JMJ1500-16	Collar		4
17	JMJ1500-17	Lifting Frame		1
18	JMJ1500-18	Clevis Pin*	M12 x 50	1
18A	JMJ1500-18A	Spring*		1
18B	TS-1482051	Hex Cap Screw	M6 x 25	1
19	JMJ1500-19	Foot Pedal Assembly		1
19A	TS-1490031	Hex Cap Screw	M8 x 20	1
19B	TS-1550061	Flat Washer	M8	1
20	JMJ1500-20	Hydraulic Ram	4 ton	1
21	TS-1504031	Socket Head Cap Screw*	M8 x 16	1
21A	TS-1504051	Socket Head Cap Screw*	M8 x 25	1
22	JMJ1500-22	R-Pin*		2
23	JMJ1500-23	Pump Release Foot Pedal		1
24	JMJ1500-24	Clevis Pin	M6 x 45	1
25	JMJ1500-25	Caster Assembly		2
26	TS-1492071	Hex Cap Screw	M12 x 70	4
	JMJ1500-ID	I.D./Warning Label (not shown)		1
	JMJ1500-RK	Repair Kit (not shown)		1
	JMJ1500-HK	Hardware Kit (includes items marked with *)		1



TEST CERTIFICATE

COMMODITY	Motorcycle/ATV Jack
MODEL	JMJ-1500
SERIAL NO.	
CAPACITY	1500 lbs
TEST LOAD	lbs
DATE OF INSPECTION	
JUDGEMENT	PASSED
INSPECTOR	