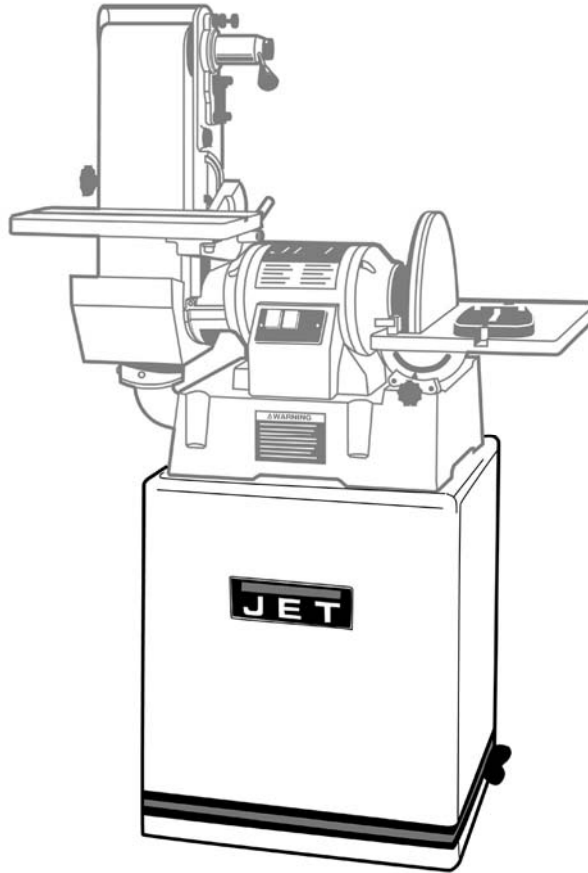




Assembly and Parts Breakdown JSG-6DC-CS Closed Stand with Casters



Assembly

1. Use the hardware bag provided to attach the JSG-6DC to the closed stand.
2. Attach the sander to the closed stand using four hex cap screws and four flat washers.
3. Inside the closed stand, use four flat washers, four lock washers and four hex nuts.
4. Tighten with a wrench.

JET

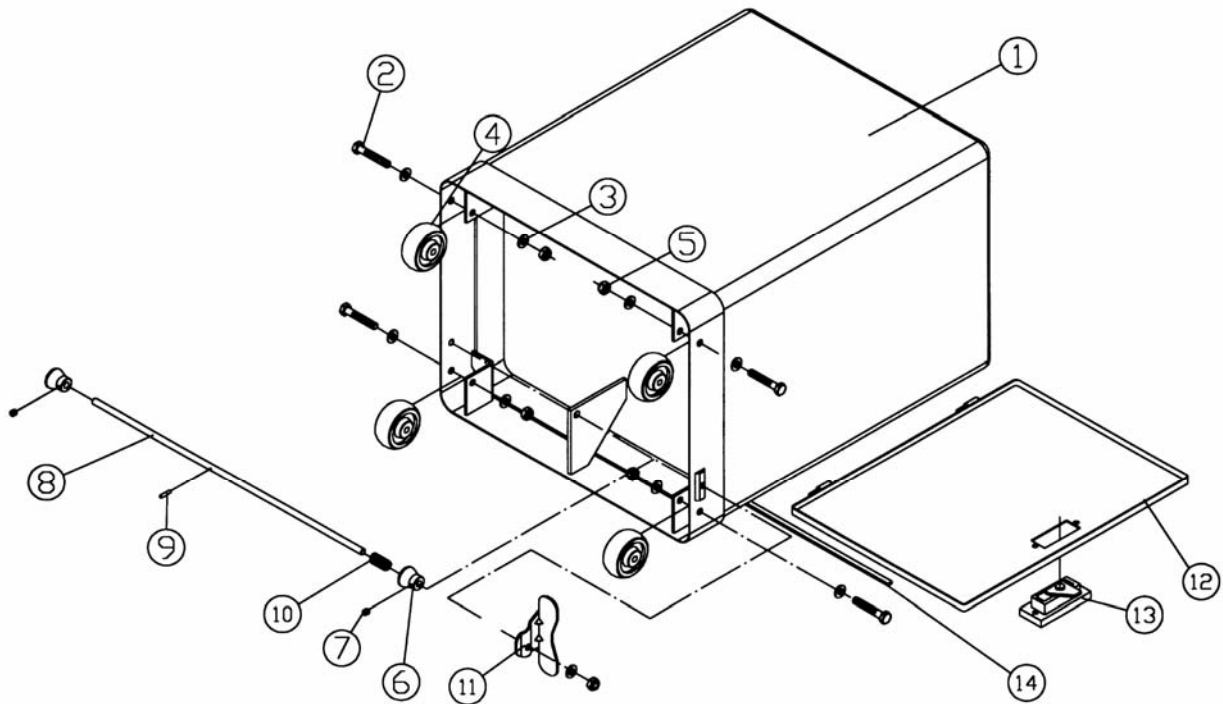
427 New Sanford Road
LaVergne, Tennessee 37086
Ph.: 800-274-6848
www.jettools.com

Part No. M-708598

Revision B1 08/2014

Copyright © 2014 JET, a Division of JPW Industries, Inc.

Parts Breakdown



Parts List

Index No.	Part No.	Description	Size	Qty
1	AB612062	Closed Stand		1
2	TS-0060111	Hex Cap Screw	3/8" x 2-1/2"	4
3	TS-1550071	Flat Washer	M10 x 20	9
4	150105	Wheel		4
5	TS-0640091	Nyloc Lock Nut	3/8"	5
6	150103	Stop		2
7	TS-1523031	Set Screw	M6x10	2
8	612063	Stop Shaft		1
9	PS042400	Spring Pin	4 x 24	1
10	150106	Spring		1
11	150104	Step Plate		1
12	145002	Door		1
13	150503	Lock		1
14	150527	Pad		2
	AH612J1	Hardware Kit (not shown)		

Hardware Used Attach the Sander to the Closed Stand

TS-229801	Cap Screw (not shown)	M10 x 1.5 x 80	4
TS-1550071	Flat Washer (not shown)	M10	8
TS-1551071	Lock Washer (not shown)	M10	4
TS-1540077	Hex Nut (not shown)	M10 x 1.5	4