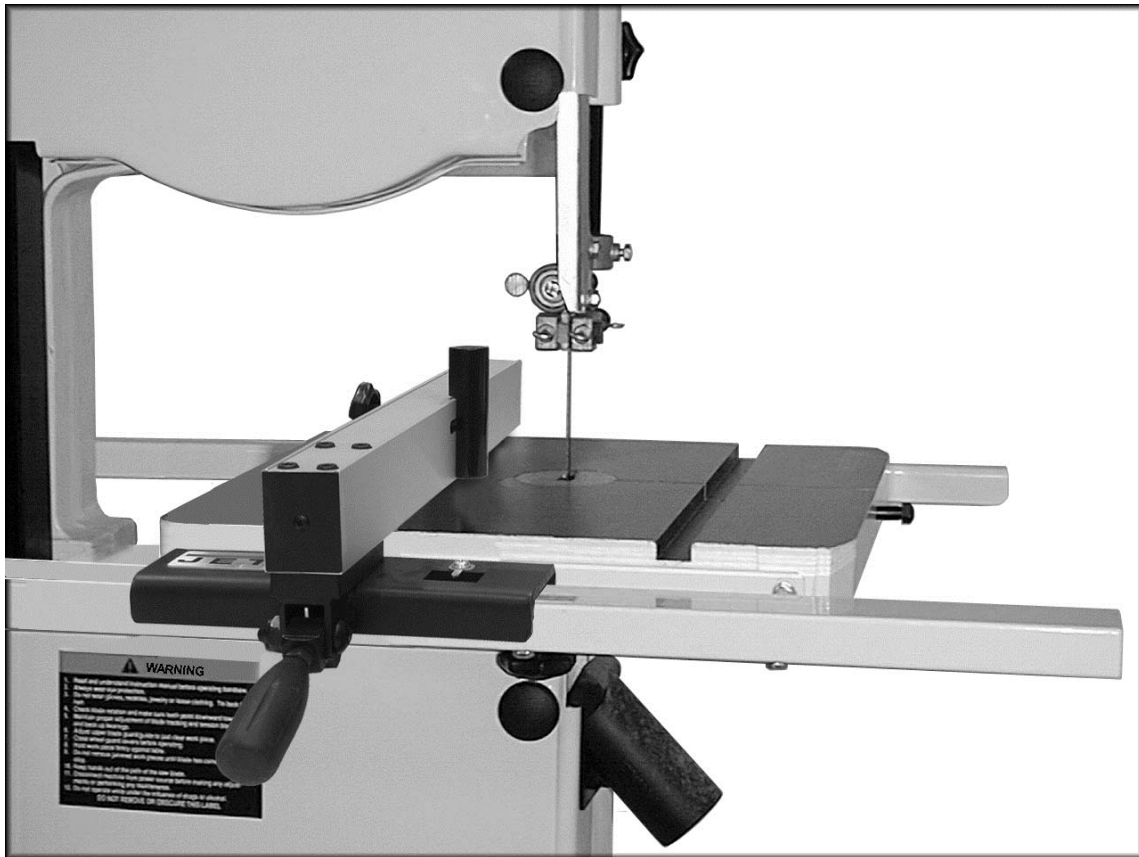




Assembly and Parts Manual

JRF-14RN Deluxe Rip Fence w/Resaw

(#714101, fits 15" x 15" table)



JET
427 New Sanford Road
LaVergne, Tennessee 37086
Ph.: 800-274-6848
www.jettools.com

Part No. M-714101
Edition 2 09/2018
Copyright © 2016 JET

⚠ WARNING: This product can expose you to chemicals including lead which is known to the State of California to cause cancer and birth defects or other reproductive harm. For more information go to <http://www.p65warnings.ca.gov>.

⚠ WARNING: Drilling, sawing, sanding or machining wood products generates wood dust and other substances known to the State of California to cause cancer. Avoid inhaling dust generated from wood products or use a dust mask or other safeguards for personal protection.

Wood products emit chemicals known to the State of California to cause birth defects or other reproductive harm. For more information go to <http://www.p65warnings.ca.gov/wood>.

Assembly

1. Disconnect the machine from the power source, unplug.
2. Mount the rear rail (A, Fig. 1) to the bandsaw table using two M6x20 hex cap screws, two lock washers and two flat washers (B, Fig. 1). Do not tighten.

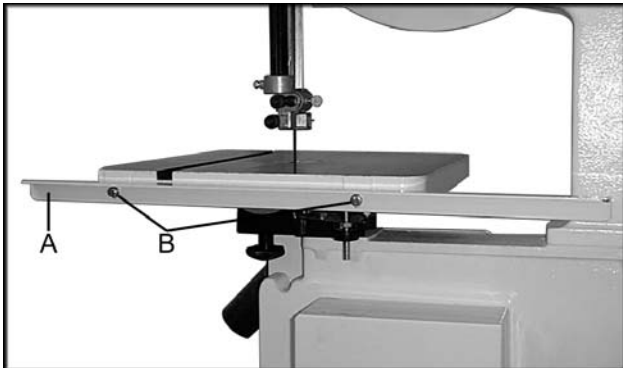


Fig. 1

3. Mount the front rail (A, Fig. 2) to the bandsaw table using two M6x20 hex cap screws, two lock washers and two flat washers (B, Fig. 2). Do not tighten.

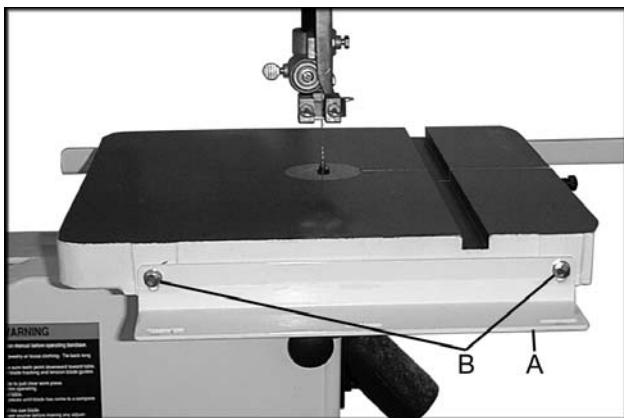


Fig. 2

4. Mount the guide rail (A, Fig. 3) to the front rail using three M6x20 hex cap screws, three lock washers and three 1/4" flat washers.



Fig. 3

5. Attach the fence to the fence body using four M6 socket head cap screws and four lock washers (A, Fig. 4).

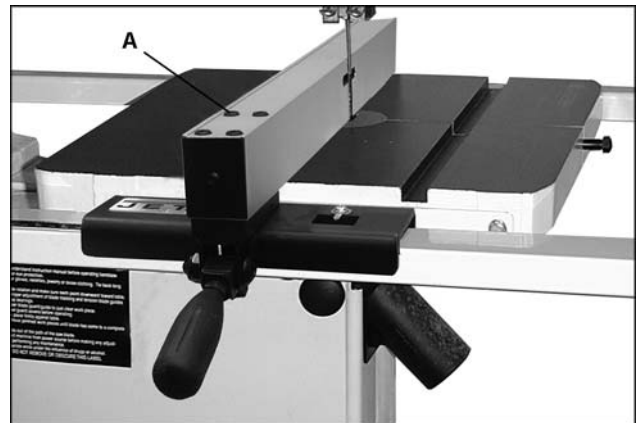


Fig. 4

6. Place fence assembly onto the guide rail. The rear hook should engage the rear rail and the pad will slide along the rear rail, Figure 5. Use nut (B, Fig. 5) to adjust height of pad.

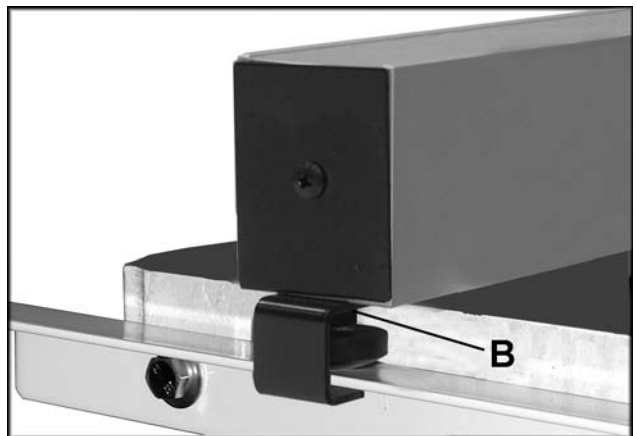


Fig. 5

7. The gap between the bottom of the fence and the table top should be the same across the entire table.
8. The front rail, rear rail and sliding pad can be raised or lowered to allow for an equal gap. At the same time make sure the fence is perpendicular to the table top (A, Fig. 6).

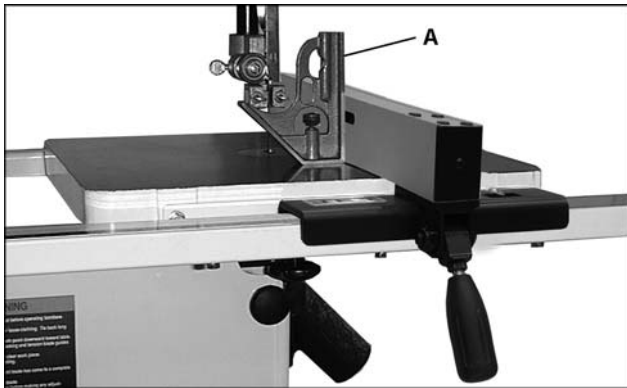


Fig. 6

9. Tighten front and rear rails.
10. Position the fence along the blade and tighten the handle. To make an adjustment loosen four hex cap bolts (A, Fig. 7) and align the fence with the blade. Tighten bolts.

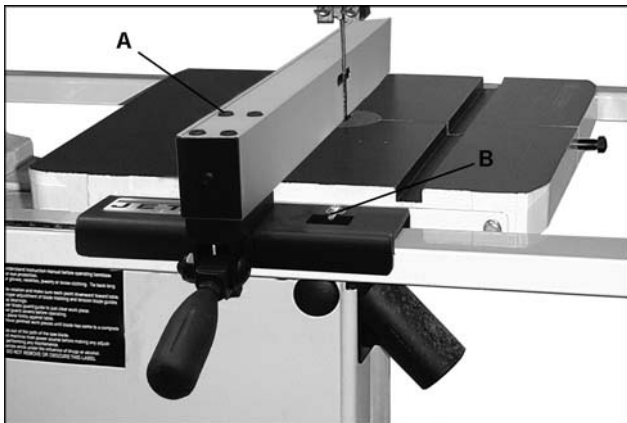


Fig. 7

11. Check to see that the pointer (B, Fig. 7) is aligned with the zero marking on the guide rail. If adjustment is necessary loosen the screw that holds the pointer in place. Adjust as necessary.

12. For resawing operations attach the post (A, Fig. 8) to fence with the hand knob. There is a slotted hole in the fence that will accommodate the resaw kit. Position the post so that it is centered with the front edge of the blade.

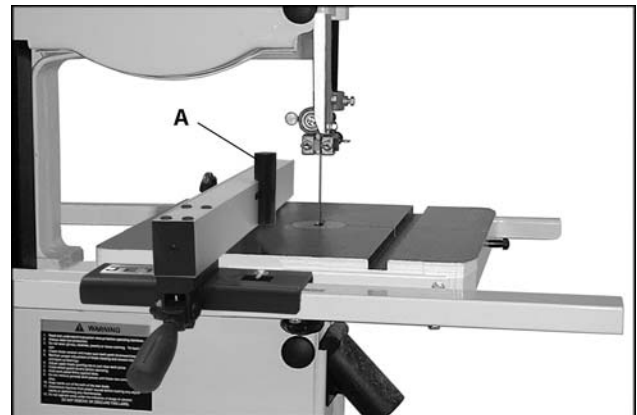


Fig. 8

JRF-14R Parts List

Index No.	Part No.	Description	Size	Qty
1	198013	Lock Handle*		1
2	TS-1540061	Hex Nut*	M8	1
3	SG049100	Flanged Hex Cap Screw	M4*6*0.8	1
4	198006	Leaf Spring		1
5	TS-2249402	Socket Head Button Screw	M10-1.5x40	1
6	136470-1	Wear Pad	10x28x1 mm	6
7	SS100250	Nylon Set Screw	M10-1.5x10	2
8	198059	Pointer		1
9	TS-2285502	Pan Head Phillips Screw	M5x5	1
10	198004	Fixed Block		1
11	F001755	Lock Nut (Black)	M10	1
12	198140	Fence Body		1
13	JWBS14-F01	JET Plaque	1-3/16 x 2-1/4"	1
14	F011270	Pan Hd Phillips Tap Screw (Black)	#6-20x1/2"	2
15	198015	Fence Cover		2
16	198010	Spacer Bushing	Ø6.5x42.5 mm	4
17	TS-2361061	Spring Washer	M6	4
18	TS-1503121	Socket Head Cap Screw	M6x55L	4
19	100152	Screw Knob		1
20	198145	Aluminum Extrusion Fence	515L x 50H mm	1
21	198142	Rear Hook		1
22	TS-2311061	Hex Nut	M6	1
23	198012	Adjust Screw	M6x20	1
24	198092	Resaw Post*		1
25	JWBS14-F27	Rear Rail		1
26	JWBS14-F24	Guide Rail		1
27	JWBS14-F23	Scale Label	(inches)	1
28	JWBS14-F25	Front Rail		1
29	TS-1550041	Flat Washer*	M6xØ13	7
30	TS-1482041	Hex Cap Screw*	M6x20	7
31	TS-0720071	Lock Washer*	1/4"	5
32	2013-285	End Cap	25x50 mm	2
	JWBS14-HKN	Hardware Package (includes items marked with *)		1

