



Stand for JWSS-22B Scroll Saw

Assembly Instructions and Parts Breakdown

Shipping contents

Refer to Figures 1 and 2, and exploded view on reverse side.

- 2 Long top braces – (#3)
- 2 Short top braces – (#4)
- 2 Short bottom braces – (#7)
- 2 Long bottom braces – (#8)
- 4 Legs – (#5)
- 4 Leg extensions – (#10)
- 1 Hardware kit, contains:
 - 4 Hex cap screws 5/16x1 – (HP1)
 - 24 Carriage bolts 5/16x1/2 – (HP2)
 - 32 Flat washers 5/16 – (HP3)
 - 28 Hex nuts 5/16 – (HP4)

Tools required for assembly

14mm open-end wrench
12mm wrench

Assembling stand

1. Assemble stand pieces, referring to Figure 10. **Only hand-tighten** all fasteners at this time.
2. The leg extensions (#10, Figure 1) can be adjusted for height.
3. If stand will not be bolted to the floor, install the leveling feet that were included with the scroll saw, onto the bottoms of the stand leg extensions.
4. Position stand upright on level floor. Push down on stand assembly to settle it on floor, then fully tighten all fasteners with 12mm wrench.

5. Some scrollers prefer to tilt the saw toward them for convenience. If this is desired, adjust only the two front leg extensions.
6. Mount scroll saw to stand, according to instructions in the scroll saw manual.

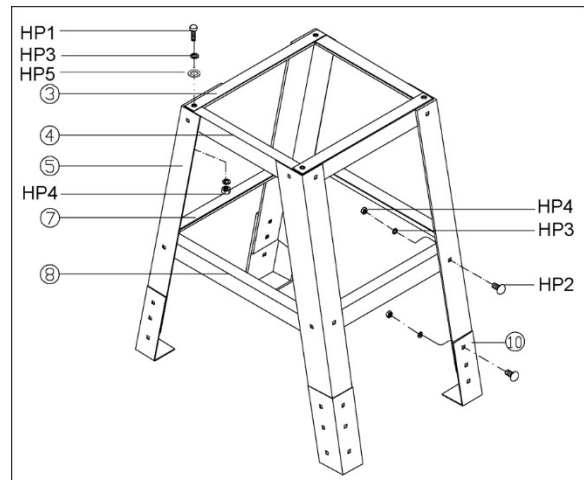


Figure 1: stand assembly



Figure 2: hardware kit JWSS22B-SHK

JET

427 New Sanford Road
LaVergne, Tennessee 37086
Ph.: 800-274-6848
www.jettools.com

Part No. M-727200S
Edition 1 05/2016
Copyright © 2016 JET

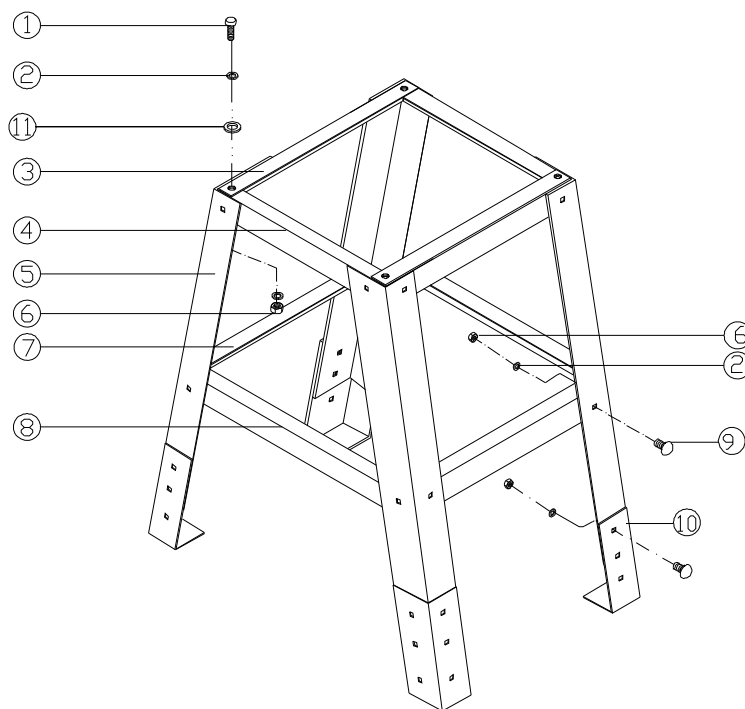
Specifications

Stock number	727200S
Stand footprint (LxW)	28 x 25-1/2 in. (711 x 648 mm)
Net weight	21.5 lbs (9.8 kg)
Shipping weight	23 lbs (10.4 kg)

Specifications were current at time of publication, but because of our policy of continuous improvement, JET reserves the right to change specifications at any time and without prior notice, without incurring obligations.

Replacement Parts

To order parts or reach our service department, call 1-800-274-6848 Monday through Friday, 8:00 a.m. to 5:00 p.m. CST. Having the Model Number and Serial Number of your product available when you call will allow us to serve you quickly and accurately. Non-proprietary parts, such as fasteners, are usually available at local hardware stores or may be ordered from JET.



Index No	Part No	Description	Size	Qty
.....	727200S.....	Stand for Scroll Saw (#1 thru 10).....		
1	TS-0051051	Hex Cap Screw.....	5/16"-18 x 1"	4
2	TS-0680031	Flat Washer	5/16".....	32
3	JWSS22B-103.....	Top Short Brace.....		2
4	JWSS22B-104.....	Top Long Brace		2
5	JWSS22B-105.....	Leg.....		4
6	TS-0570021	Hex Nut.....	5/16"-18	28
7	JWSS22B-107.....	Bottom Short Brace		2
8	JWSS22B-108.....	Bottom Long Brace.....		2
9	JWSS22B-109.....	Round Hd. Carriage Bolt, b.oxide.....	5/16"-18 x 1/2"	24
10	JWSS22B-110.....	Leg Extension		4
11	JWSS22B-111.....	Rubber washer (included with saw hardware).....		4
.....	JWSS22B-SHK	Stand Hardware Kit (#1,2,6,9)		