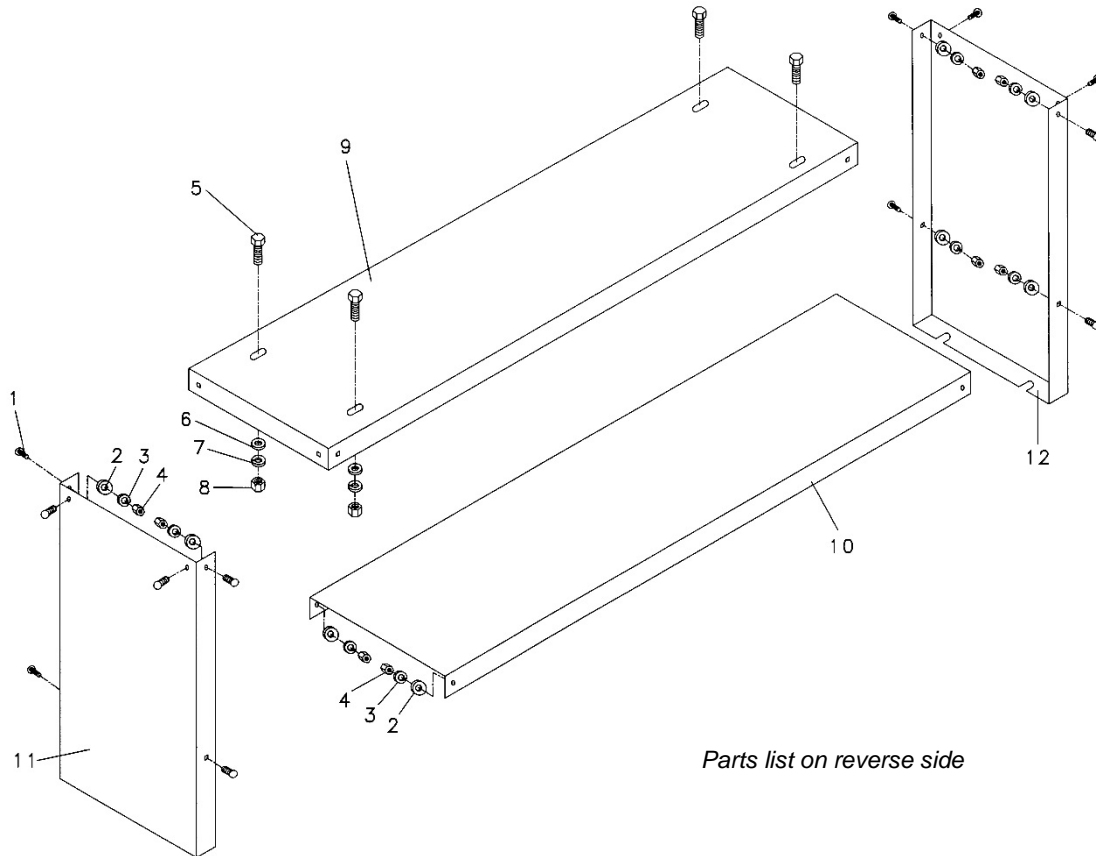




Floor Stand for bench model Metal Forming machines



Specifications

Stock #	Model #	Fits	Overall Dimensions (L x W x H / in.)	Net wt. (lb.)
754200	S-48N	BPB-1650	56-1/2 x 18-1/4 x 28	85
754024	SRS-24M	SR-2024M	30 x 14 x 28	35
754030	SRS-30M	SBR-30M	40 x 16 x 24	45
754036	SRS-36M	SR-2236M	42 x 14 x 28	51
754040	SRS-40M	SBR-40M	49 x 21 x 30	82
754051	SRS-50M	SR-1650M	68 x 22 x 30	70

Specifications were current at time of publication, but because of our policy of continuous improvement, JET reserves the right to change specifications at any time and without prior notice, without incurring obligations.

⚠ WARNING: This product can expose you to chemicals including lead which is known to the State of California to cause cancer and birth defects or other reproductive harm. For more information go to <http://www.p65warnings.ca.gov>.

JET
 427 New Sanford Road
 LaVergne, Tennessee 37086
 Ph.: 800-274-6848
www.jettools.com

Part No. M-754024
 Revision C2 08/2018
 Copyright © 2017 JET, a Division of JPW Industries, Inc.

Floor Stand Parts List

To order parts or reach our service department, call 1-800-274-6848 Monday through Friday, 8:00 a.m. to 5:00 p.m. CST. Having the Model Number and Serial Number of your machine available when you call will allow us to serve you quickly and accurately.

Index No	Part No	Description	Size	Qty
1	GB801-88	Carriage Bolt	M8x16	12
2	TS-1550061	Flat Washer	M8	12
3	TS-1551061	Lock Washer	M8	12
4	TS-1540061	Hex Nut	M8	12
5	TS-1492011	Hex Bolt <i>SRS-24M</i>	M12x25	4
	TS-1490071	Hex Bolt <i>SRS-30M</i>	M8x40	4
	TS-1492011	Hex Bolt <i>SRS-36M</i>	M12x25	4
	TS-1492051	Hex Bolt <i>SRS-40M</i>	M12x50	4
	TS-1492011	Hex Bolt <i>S-1648N</i>	M12x25	4
	TS-1490031	Hex Bolt <i>S-2248N</i>	M8x20	4
	TS-2214401	Hex Bolt <i>SRS-50M</i>	M18x40	4
6	TS-2360121	Flat Washer <i>SRS-24M</i>	M12	4
	TS-1550061	Flat Washer <i>SRS-30M</i>	M8	4
	TS-2360121	Flat Washer <i>SRS-36M</i>	M12	4
	TS-2360121	Flat Washer <i>SRS-40M</i>	M12	4
	TS-2360121	Flat Washer <i>S-1648N</i>	M12	4
	TS-1550061	Flat Washer <i>S-2248N</i>	M8	4
	TS-2360181	Flat Washer <i>SRS-50M</i>	M18	4
7	TS-1551081	Lock Washer <i>SRS-24M</i>	M12	4
	TS-1551061	Lock Washer <i>SRS-30M</i>	M8	4
	TS-1551081	Lock Washer <i>SRS-36M</i>	M12	4
	TS-1551081	Lock Washer <i>SRS-40M</i>	M12	4
	TS-1551081	Lock Washer <i>S-1648N</i>	M12	4
	TS-1551061	Lock Washer <i>S-2248N</i>	M8	4
	TS-2361181	Lock Washer <i>SRS-50M</i>	M18	4
8	TS-1540081	Hex Nut <i>SRS-24M</i>	M12	4
	TS-1540061	Hex Nut <i>SRS-30M</i>	M8	4
	TS-1540081	Hex Nut <i>SRS-36M</i>	M12	4
	TS-1540081	Hex Nut <i>SRS-40M</i>	M12	4
	TS-1540081	Hex Nut <i>S-1648N</i>	M12	4
	TS-1540061	Hex Nut <i>S-2248N</i>	M8	4
	TS-2310181	Hex Nut <i>SRS-50M</i>	M18	4
9	S24N-9	Top Plate	30" x 14" x 2"	1
	S30N-9	Top Plate	35" x 16.2" x 2"	1
	S36N-9	Top Plate	43.3" x 14" x 2"	1
	S40N-9	Top Plate	47.6" x 19.3" x 2"	1
	S48N-9	Top Plate	56.5" x 18.1" x 2"	1
	S50N-9	Top Plate	57.5" x 15" x 2"	1
10	S24N-10	Shelf Plate	29.6" x 13.7" x 2"	1
	S30N-10	Shelf Plate	34.8" x 15.9" x 2"	1
	S36N-10	Shelf Plate	43" x 13.7" x 2"	1
	S40N-10	Shelf Plate	47.3" x 19" x 2"	1
	S48N-10	Shelf Plate	56.2" x 17.8" x 2"	1
	S50N-10	Shelf Plate	57.2" x 14.7" x 2"	1
11	S24N-11	Left Side Plate	27.6" x 13.8" x 2"	1
	S30N-11	Left Side Plate	27.6" x 16.2" x 2"	1
	S36N-11	Left Side Plate	27.6" x 13.8" x 2"	1
	S40N-11	Left Side Plate	27.6" x 19.1" x 2"	1
	S48N-11	Left Side Plate	27.6" x 18" x 2"	1
	S50N-11	Left Side Plate	27.6" x 14.8" x 2"	1
12	S24N-12	Right Side Plate	27.6" x 13.8" x 2"	1
	S30N-12	Right Side Plate	27.6" x 16" x 2"	1
	S36N-12	Right Side Plate	27.6" x 13.8" x 2"	1
	S40N-12	Right Side Plate	27.6" x 19.1" x 2"	1
	S48N-12	Right Side Plate	27.6" x 18" x 2"	1
	S50N-12	Right Side Plate	27.6" x 14.8" x 2"	1